



DM30 Series

MOVEABLE DC-FASTCHARGER DM30

DC-Charging with 30kW conform to CCS
Easy to apply and cost effective installation

Combo 2 Connector for all EU Electric Vehicles



MOVEABLE DC-FASTCHARGER DM30

Charging a 75kWh Battery in only 1h 45min

(from 10 - 80% of the total battery capacity or equivalent to 300km)¹⁾

The **MOVEABLE FASTCHARGER DM30** enables you fast charging of EVs with high battery capacities as well as commercial vehicles.

The mobile FastCharger DM30 is the top choice for car service centers and EV dealer workshops. It has the advantage of mobility and can be used within a radius of 15m at the requested point of charge. The high protection degree (IP55) allows also outdoor operation. The DM30 is equipped with a Combo 2 DC-EV-Connector and a 4,5m charging cable. The charger complies with the connectivity norm IEC 62196, as well as to IEC 61851-1, Mode 4, the international charging standard Combined Charging System (CCS). With that, the DM30 can be used for safe and quick charging of all EU Battery Electric Vehicles (BEV) and plug-in-hybrid cars. Compared to a 11kW AC-Wall-box, the DM30 offers 4 times faster charging (e.g. for a Ford Mustang MACH-E with a 75kWh battery and charging from 10 – 80% of the total battery capacity, equivalent to 305km reach).¹⁾

The network connectivity over LAN, WiFi or 4G enables remote data access and failure analysis. In the same time it allows the operation with a backend-software over the OCPP communication protocol, with load management and individual billing systems. In this way your DM30 can become a public charging station. It can be found within a network of public chargers via an App and opens you new business opportunities as Charge Point Operator.

01 CHARGING AND DATA ANALYSIS

Product Highlights

- CCS DC-Charging with Combo 2 EV-Adapter conform to IEC 62196
- high efficiency >94%
- Power Factor >0,99 (active Power Factor Correction)
- Ethernet-, WiFi- and 4G-Interfaces integrated
- OCPP 1.6 JSON Communication protocol (for the use with a backend software for load-management and accounting-systems)
- RFID Card reader for user authentication
- 7" LCD-Display for a userfriendly operation
- Ingression Protection IP 55 (protected against rain and dust)
- Impact Protection IK 10
- easy and cost effective installation
- low maintenance cost

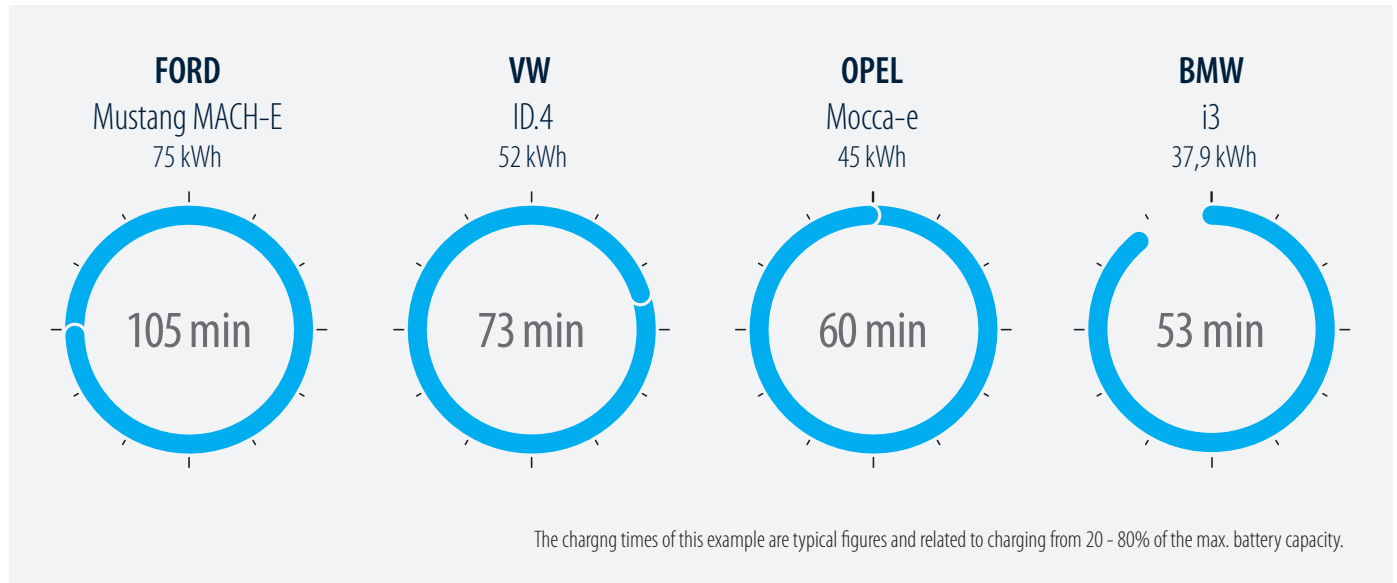


Certified Safety and EMC:
EN 61851-1, EN 61851-23, EN 61851-21-2, CCS DIN 70121

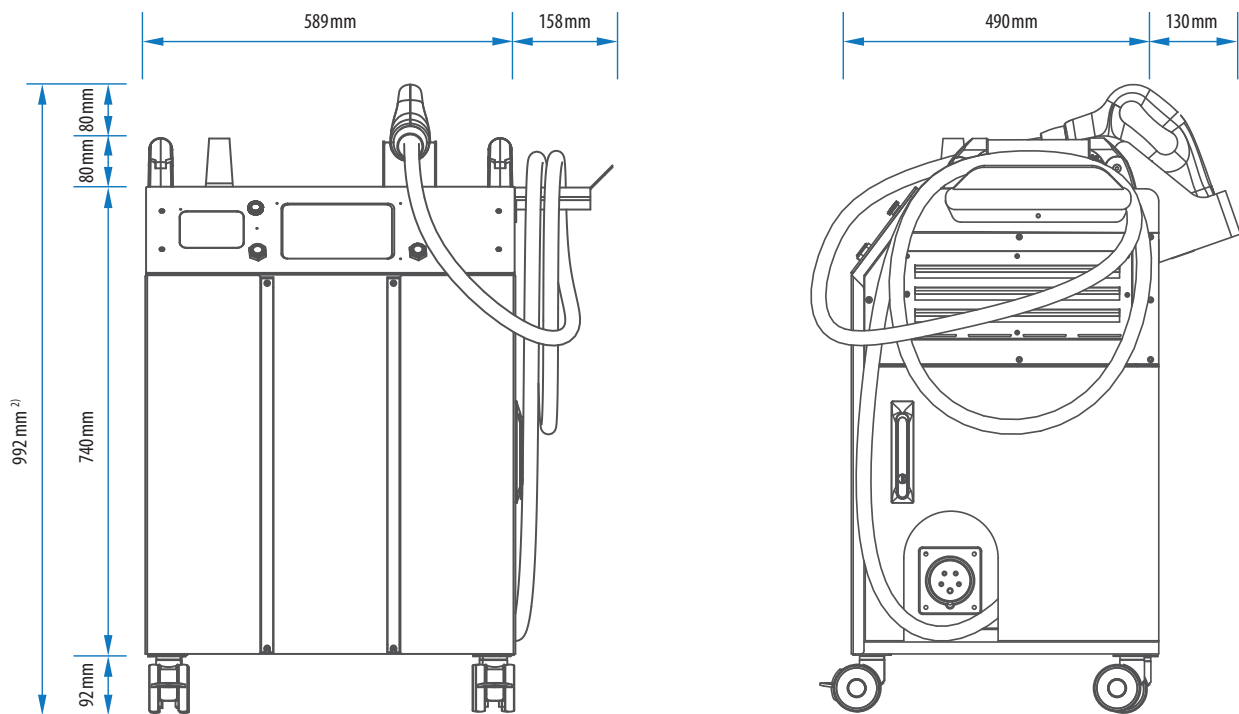
¹⁾ Typical example for a midsize EV with an energy consumption of 17,2kWh/100km

02 CHARGING TIME EXAMPLES FOR DIFFERENT MAKE OF ELECTRO VEHICLES

4times faster charging compared to a 11kW AC-Wallbox.



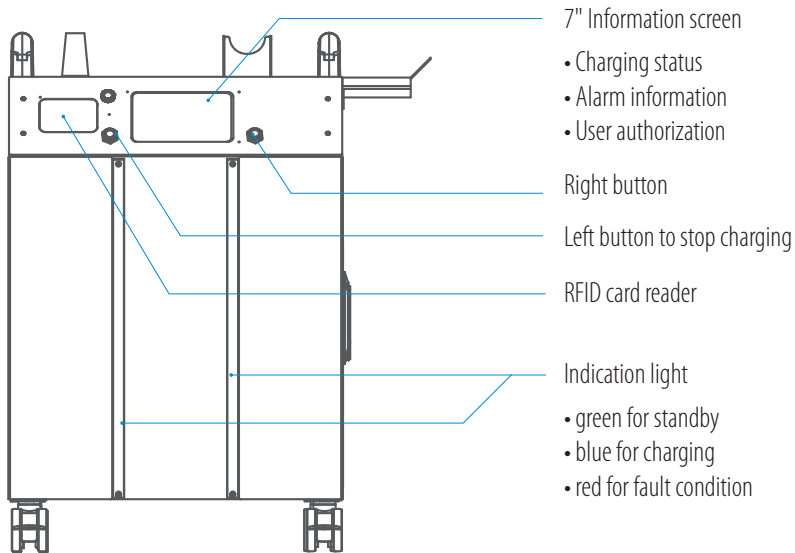
03 DIMENSIONS



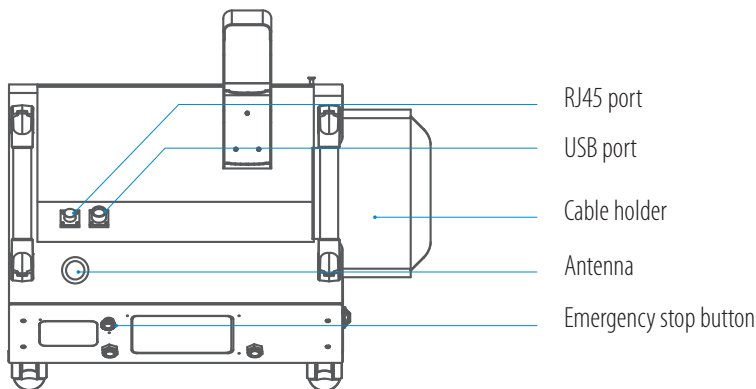
²⁾ total height depends on the used brand of the Charging Gun. The dimension 992 mm is for the Phoenix Contact type of Charging Gun.

04 BASIC CONTROL AND OPERATION ELEMENTS

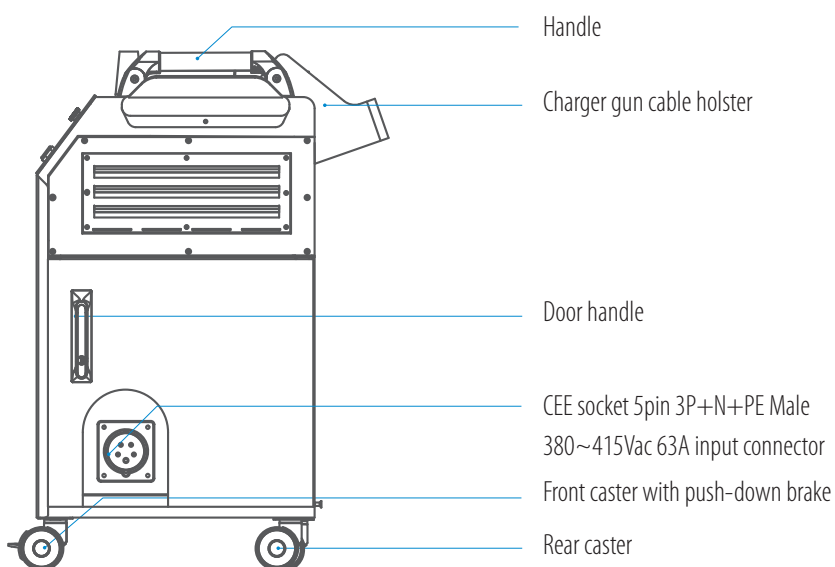
MAIN UNIT



7" LCD-Display



Cable support



Front caster with push-down brake

! Please contact BERGER, if you need an individual planning for your EV-Charger infrastructure, consisting of two or more EV-Chargers. Controls for load-management and accounting systems are also available.

05 PRODUCT SPECIFICATION

BEVSE-DM30-950-80

AC-INPUT

Input	380 - 415VAC (+- 15%), 50/60Hz, 60A max., 3Ph, N, PE connection (TN, TT and IT)
Max. input power	33kVA
Power factor	> 0,99 (active power factor correction)
Efficiency	> 94% at optimized V/I point

DC-OUTPUT

One output	CCS2 (conform to the international connectivity and charging standards IEC 62196 and IEC 61851-1)
Output voltage range	DC 150 - 950V (CCS2)
Max. output current	CCS2 80A @ 150 - 375VDC, reduction to 31,5A from 375 - 950VDC
Max. output power	DC 30kW
Voltage accuracy	+/- 2%
Current accuracy	+/- 2%

ELECTRICAL ISOLATION	Yes, isolation between input and output
-----------------------------	---

STANBY POWER	< 30W
---------------------	-------

COMMUNICATION

External	Ethernet, Wi-Fi and 3G or 4G
Internal	CAN Bus / RS485

INPUT PROTECTION	Over voltage protection, over current protection, over power protection, over temperature protection, undervoltage protection, residual current protection, integrated surge protection device
-------------------------	--

OUTPUT PROTECTION	Short circuit protection, over current protection, over voltage protection, low voltage protection, over temperature protection, insulation monitoring device
--------------------------	---

INTERNAL PROTECTION	Over temperature protection, AC contactor detection, DC contactor detection, fuse detection
----------------------------	---

LOAD MANAGEMENT	Via OCPP 1.6 JSON
------------------------	-------------------

USER INTERFACE & CONTROL

Color Display	7-inch LCD
User authentication	RFID: Support ISO 14443A/B, ISO 15693, FeliCa Lite-S, (RCS966), OCPP, 2D barcode, APP, mobile payment
Backend support	OCPP 1.6 JSON

ENVIRONMENTAL CONDITIONS

Operation temperature	-30°C to +50°C, with linear derating from >50°C to 60°C
Storage temperature	-40°C to +70°C
Relative humidity	5% to 95% RH, non-condensing
Operation altitude	≤ 2000m

REGULATIONS

Safety	IEC 61851-1, IEC 61851-23
EMI / EMC	IEC 61851-21-2
Charging interface	CCS DIN 70121

MECHANICAL SPECIFICATIONS

Dimensions (WxDxH)	747 x 620 x 992 mm
Weight (typ. net & gross weight)	87kg net weight, 170kg gross weight (boxed for foreign shipment)
DC charging connector	Combo-2 DC-Plug (conform to IEC 62196)
Charging cable length	4,5m
Number of charging cables	1
AC input cable & connection	10m cable with 63A CEE connector & socket
Cooling	Forced air cooling (Fan cooling)
Ingression protection	IP55
Anti-vandalism	IK10 (does not include LCD & RFID cover)
Acoustic noise dB(A)	65dB(A) (Pout 30kW at Rt = 30°C)

BERGER Stromversorgungen GmbH & Co. KG

Since its foundation in the year 2000, BERGER Stromversorgungen GmbH & Co. KG has built up a diverse portfolio of more than 30.000 products in partnership with the world's leading suppliers of electronic regulated power supplies. With our associate companies German Power GmbH and Phihong Technology Co., Ltd., we design, manufacture and distribute switch mode power supplies for upscale industrial applications.

BERGER is the representative of Phihong Technology Co., Ltd in Europe. Within the fast growing market of electrical transportation systems we are responsible for marketing, sales and service of the innovative and highly reliable EV-Chargers from Phihong. The power range is from 3,6 to 22kWAC and 30kW to 360kWDC.

For sales inquiries, product & application support, as well as installation and repair services, we are the first contact for customers of Phihong EV-Chargers in the German speaking part of Europe

Our company is planning individual control solutions for residential and commercial applications, which consist of two or more EV-Chargers, incl. intelligent load management- and accounting systems.

In our new company building in Achern we are operating Phihong EV-Chargers in combination with a photovoltaic-system and a modern energy management system with an automated load control. The installation is open for demonstration to our customers and is used also for the performance of training courses.

We are looking forward to receiving your enquiry and providing solutions for your EV charger and emobility needs.

BERGER

BERGER Stromversorgungen GmbH & Co. KG

Banmatten 10 | 77855 Achern | Germany



Web

www.berger-stromversorgungen.de



E-mail:

info@berger-stromversorgungen.de



Phone:

+49 [0] 7841 - 6 73 04-0