



10W Compact Fixed Blade Charger with DC Cord



Features

Level VI Efficiency
OVP, SCP, OCP

Class B EMI

Applications

MPEG Players
PDAs

Personal Electronics
Digital Cameras

Safety Approvals

UL 60950-1¹
IEC 60950-1²

CE²
RCM³

Mechanical Characteristics – US & EU Models

Length: 71.2mm (2.80in)
Height: 52.5mm (2.07in) - US
Height: 64.7mm (2.55in) - EU

Width: 34mm (1.34in)
Weight: 72.7g (2.56oz) - US
Weight: 75.5g (2.66oz) - EU

Mechanical Characteristics – UK Models

Length: 71.2mm (2.80in)
Height: 55.5mm (2.19in)

Width: 49.1mm (1.93in)
Weight: 82.2g (2.90oz)

Mechanical Characteristics – AUS Models

Length: 71.2mm (2.80in)
Height: 55mm (2.17in)

Width: 40.59mm (1.60in)
Weight: 75.1g (2.65oz)

Output Specifications

Model	Prong Style	DC Output Voltage	Load		Ripple ⁴ P-P (max)	Regulation		Output Cable
			Min.	Max.		Line	Load	
AA10A-050A-R	US	5V	0A	2A	200mV	±1%		Barrel
AA10A-050A(M)-R	US	5V	0A	2A	200mV	±1%		Micro-B
AA10E-050A-R	EU	5V	0A	2A	200mV	±1%		Barrel
AA10E-050A(M)-R	EU	5V	0A	2A	200mV	±1%		Micro-B
AA10K-050A-R	UK	5V	0A	2A	200mV	±1%		Barrel
AA10K-050A(M)-R	UK	5V	0A	2A	200mV	±1%		Micro-B
AA10S-050A-R ⁵	AUS	5V	0A	2A	200mV	±1%		Barrel
AA10S-050A(M)-R	AUS	5V	0A	2A	200mV	±1%		Micro-B

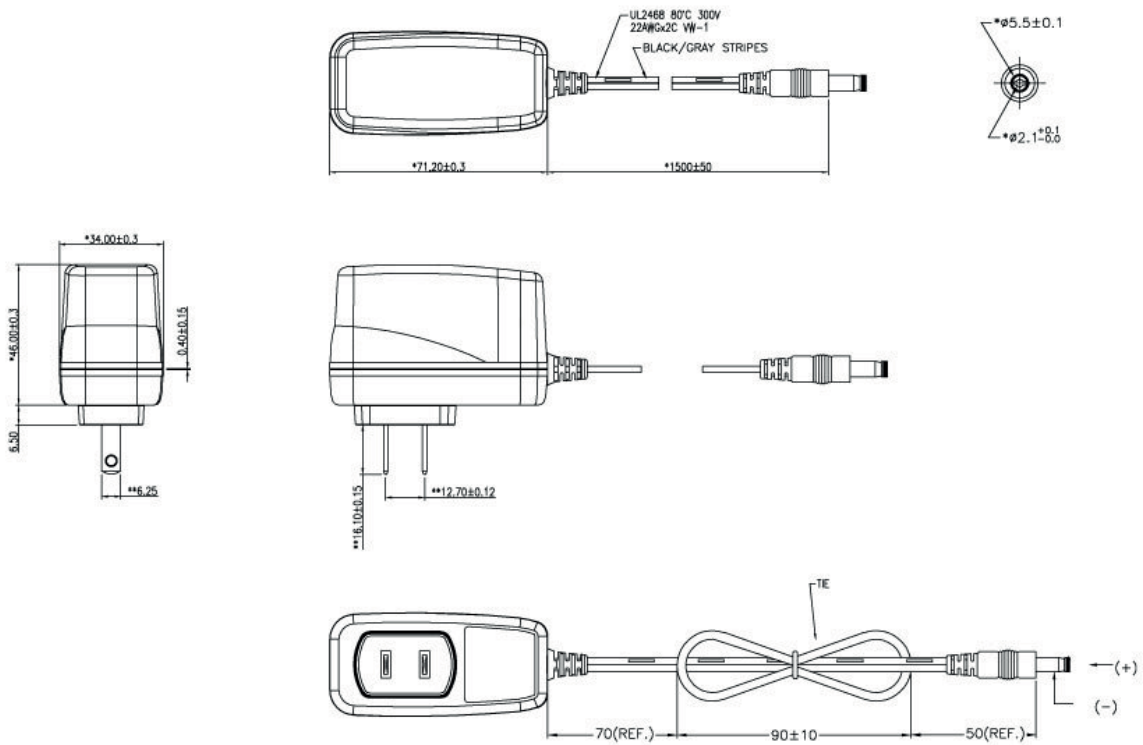
Notes:

1. US models only
2. EU & UK models only
3. AUS models only
4. Measuring is done by 20MHz bandwidth oscilloscope and terminated each output with a 10uF aluminum electrolytic capacitor and a 0.1uF ceramic capacitor
5. Special order MOQ

Phihong is not responsible for any error, and reserves the right to make changes without notice.

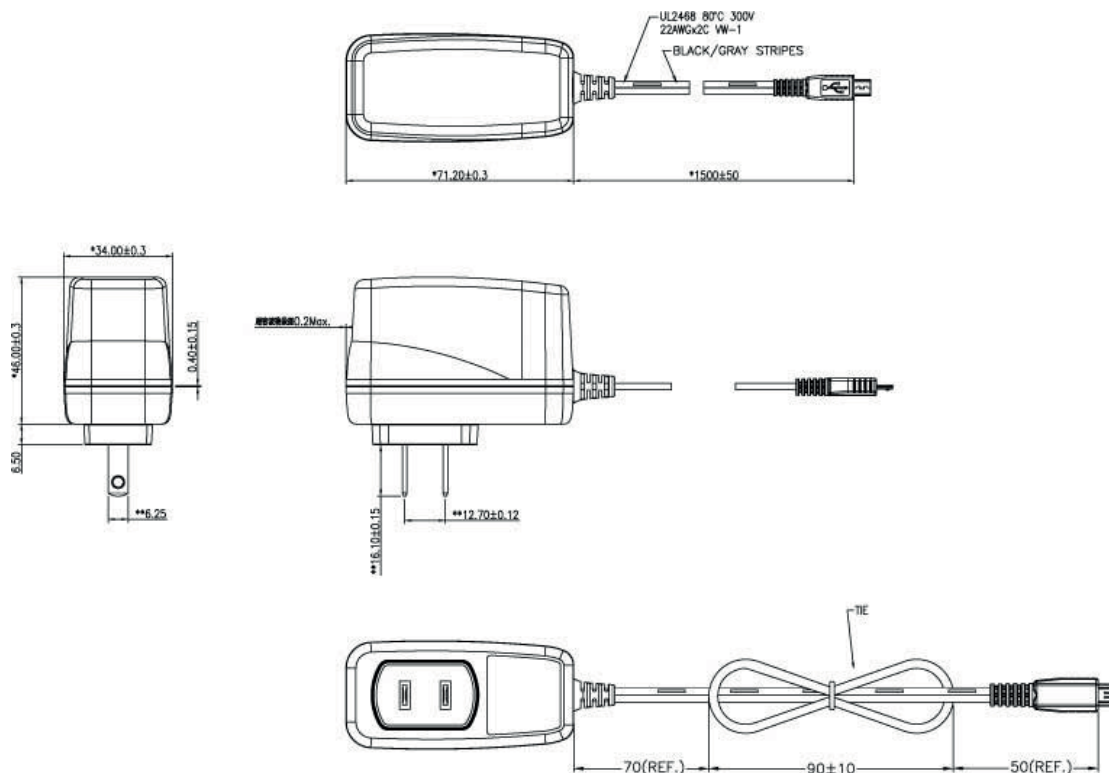
Dimension Diagram Unit: mm

AA10A-050A-R



Dimension Diagram Unit: mm

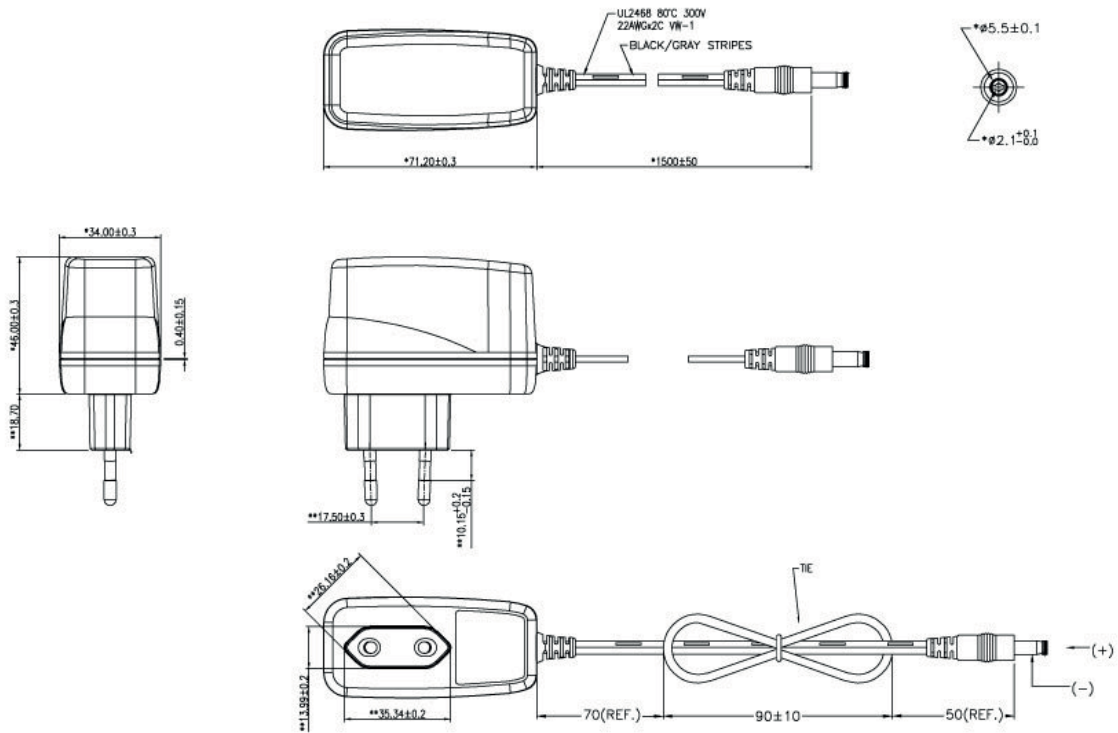
AA10A-050A(M)-R



Phihong is not responsible for any error, and reserves the right to make changes without notice.

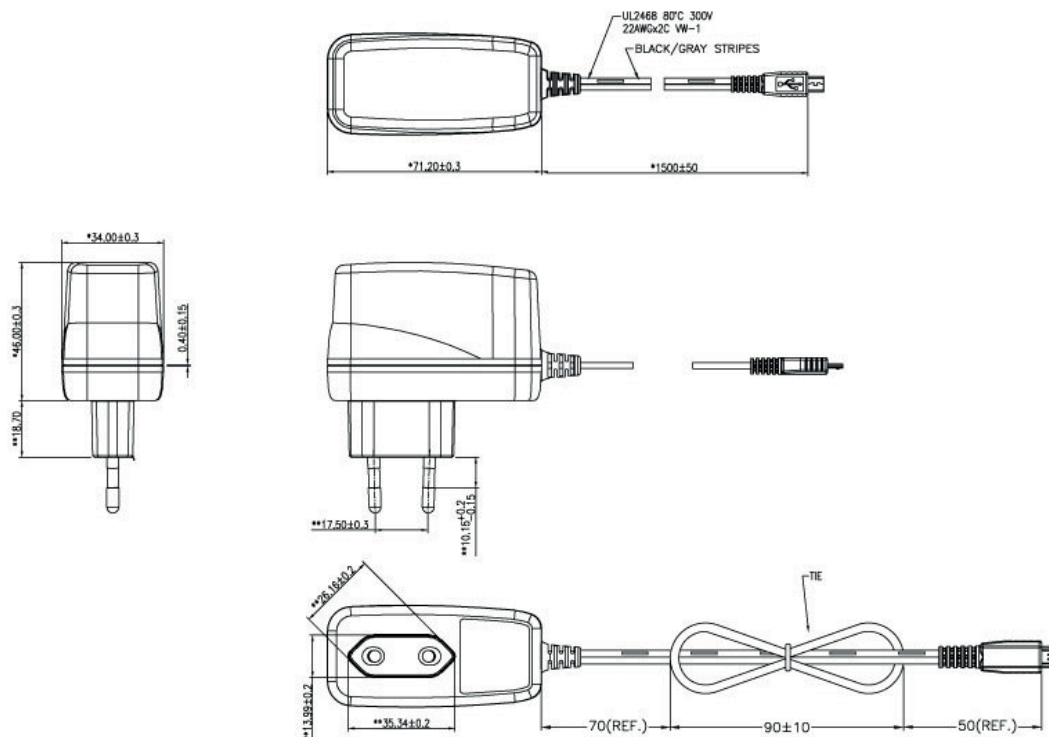
Dimension Diagram Unit: mm

AA10E-050A-R



Dimension Diagram Unit: mm

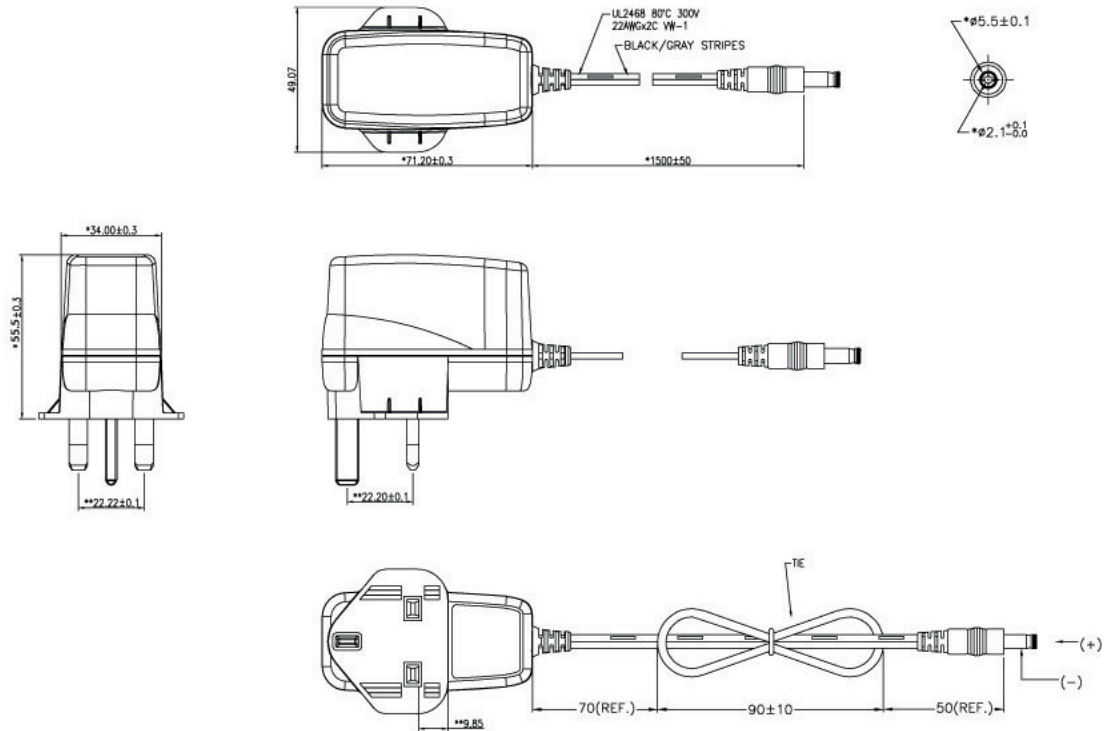
AA10E-050A(M)-R



Phihong is not responsible for any error, and reserves the right to make changes without notice.

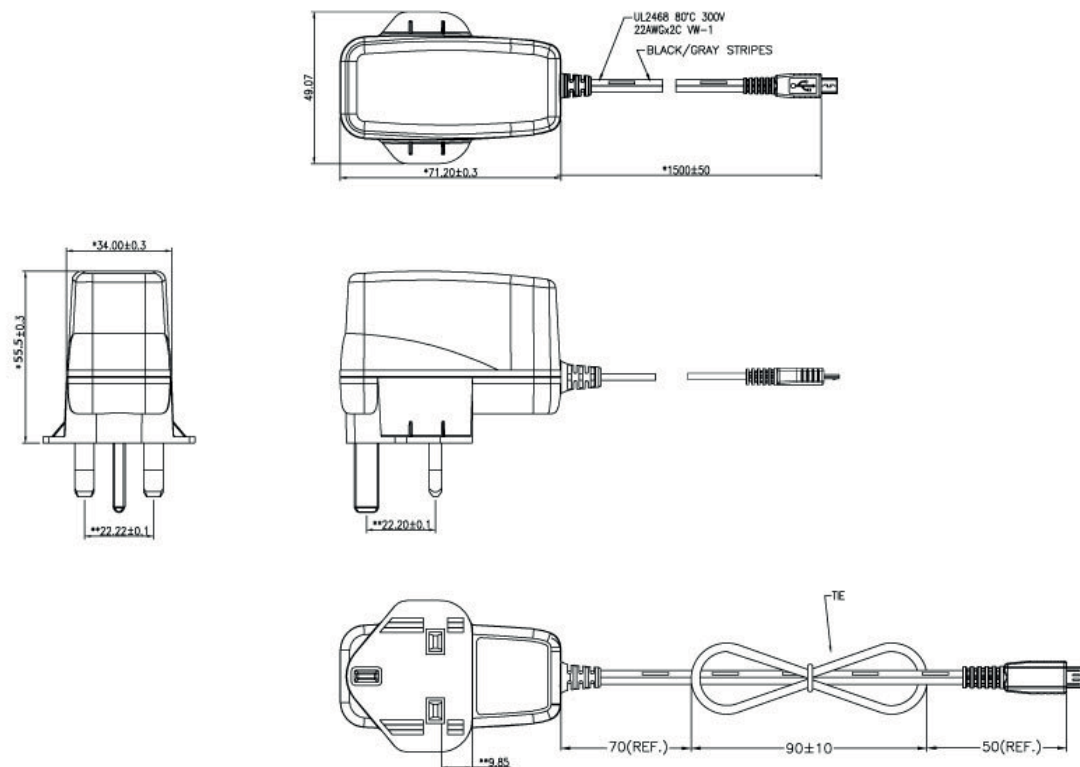
Dimension Diagram Unit: mm

AA10K-050A-R



Dimension Diagram Unit: mm

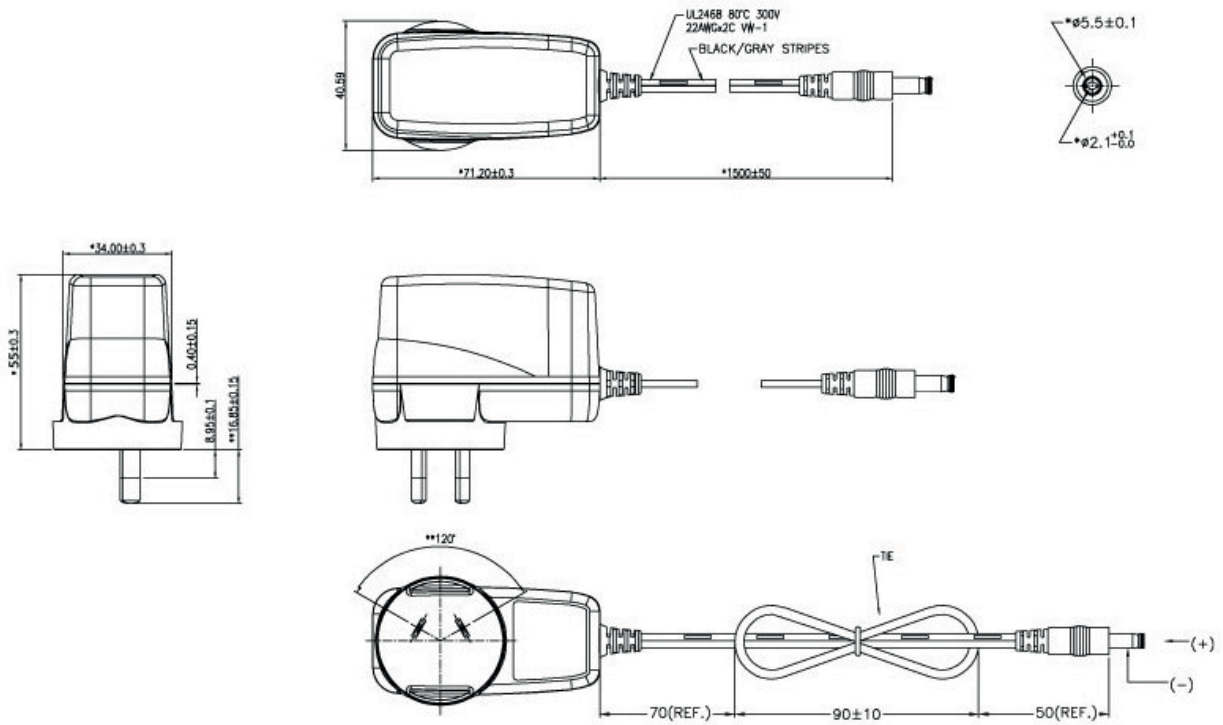
AA10K-050A(M)-R



Phihong is not responsible for any error, and reserves the right to make changes without notice.

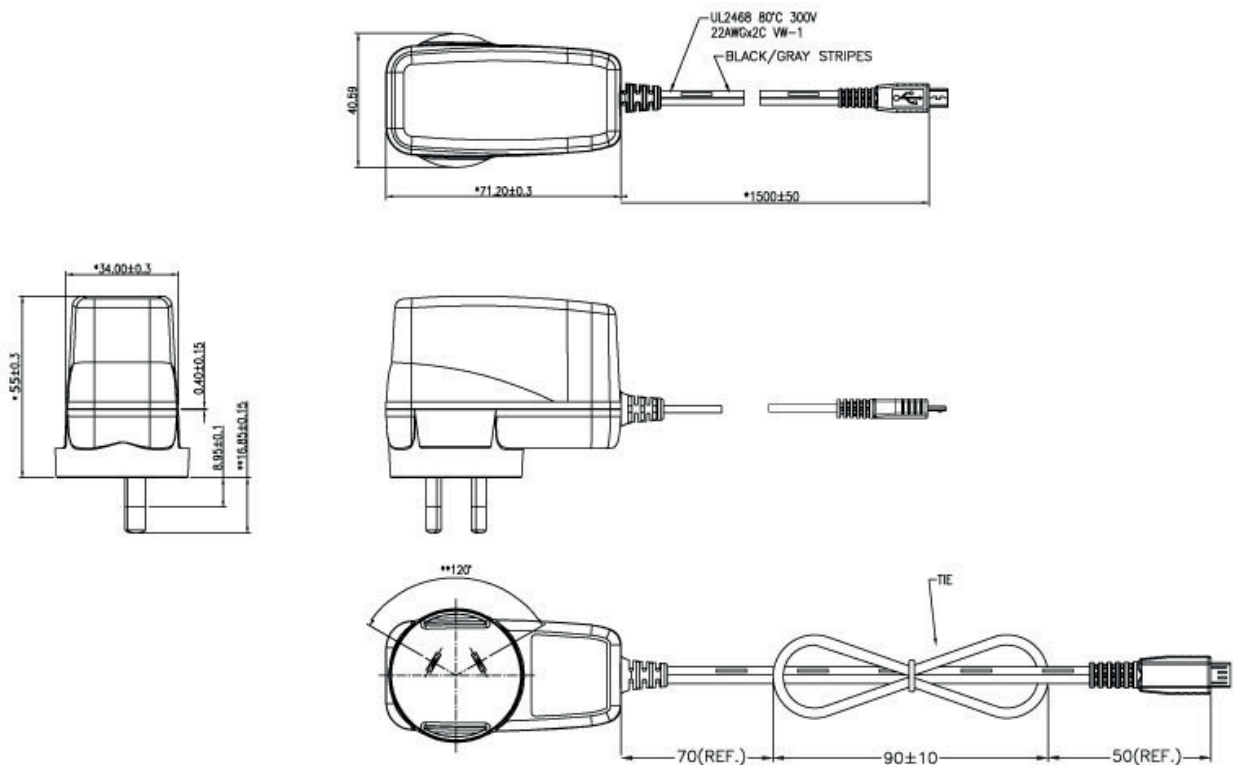
Dimension Diagram Unit: mm

AA10S-050A-R



Dimension Diagram Unit: mm

AA10S-050A(M)-R



Phihong is not responsible for any error, and reserves the right to make changes without notice.