



## 15 Watt Fixed Pin Qualcomm® Quick Charge™ 2.0



### Features

- Limited Power Source (LPS)
- Class B EMI
- Short Circuit Protection
- DOE Level VI, CoC V5 Tier 2

### Applications

- Smartphones
- Tablets
- Personal Communication Devices

### Safety Approvals

- uL/cUL
- CE
- CB

### Mechanical Characteristics

- Length: 45mm (1.77in)
- Width: 45mm (1.77in)
- Height: 27mm (1.06in)
- Weight: 53.5g (1.89oz)

### Output Specifications

Model	Prong Style	Case Color	Output Power	Output Voltage	Max Load	Ripple <sup>(1)</sup> P-P (max.)	Efficiency Level
PSA15A-308Q	US	Black	15W	5V/9V/12V	1.67A@9V 1.25A@12V	180mV	VI
PSA15A-308QW	US	White	15W	5V/9V/12V	1.67A@9V 1.25A@12V	180mV	VI
PSA15E-308Q	EU	Black	15W	5V/9V/12V	1.67A@9V 1.25A@12V	180mV	VI
PSA15E-308QW	EU	White	15W	5V/9V/12V	1.67A@9V 1.25A@12V	180mV	VI
PSA15K-308Q	UK	Black	15W	5V/9V/12V	1.67A@9V 1.25A@12V	180mV	VI
PSA15K-308QW	UK	White	15W	5V/9V/12V	1.67A@9V 1.25A@12V	180mV	VI

Notes: (1) Measured by using a 12 inch twisted pair terminated with a 10uF & 0.1uF ceramic in parallel. Oscilloscope is set to 20MHz. Phihong is not responsible for any error, and reserves the right to make changes without notice. Please visit our website at [www.phihong.com](http://www.phihong.com) for the most up-to-date specifications and contact information.

**Input:**

**AC Input Voltage Rating**

100 to 240V AC

**AC Input Voltage Range**

90 to 264V AC

**AC Input Frequency**

47 to 63Hz

**Input Current**

0.4A(RMS) Max.

**Leakage Current**

20uA Max.

**Inrush Current**

60A Max. @25°C (Cold start)

**Input Power Saving**

<75mW @115VAC/230VAC

**Output:**

**Efficiency**

US DOE Level VI

CoC V5 Tier 2

**Environmental:**

**Temperature**

Operation -5°C to +45°C

Non-operation -40°C to +85°C

Humidity 90% RH max

**Emissions**

FCC Class B

EN55022 Class B

**Immunity**

EN61000-4-2

EN61000-4-5

**Hold-up Time**

>10mS at max load, 115Vac/60Hz

**Output Current Protection**

Output current shall not exceed 2A

**Short-Circuit Protection**

Output can be shorted permanently without damage

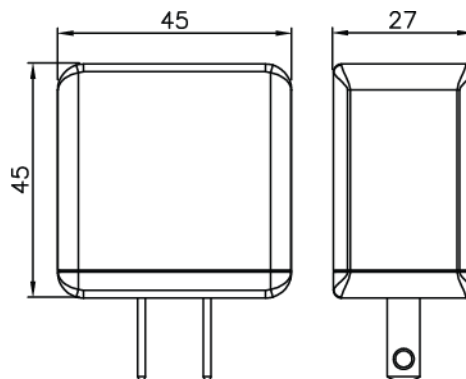
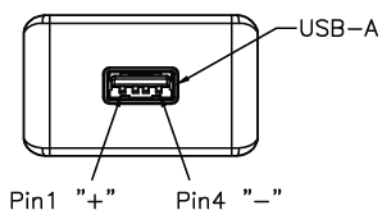
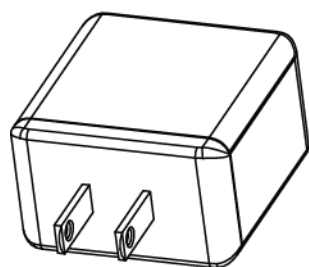
**Dielectric Withstand (Hi-pot) Test**

Primary to Secondary: 3000V AC for 1 min., 10mA

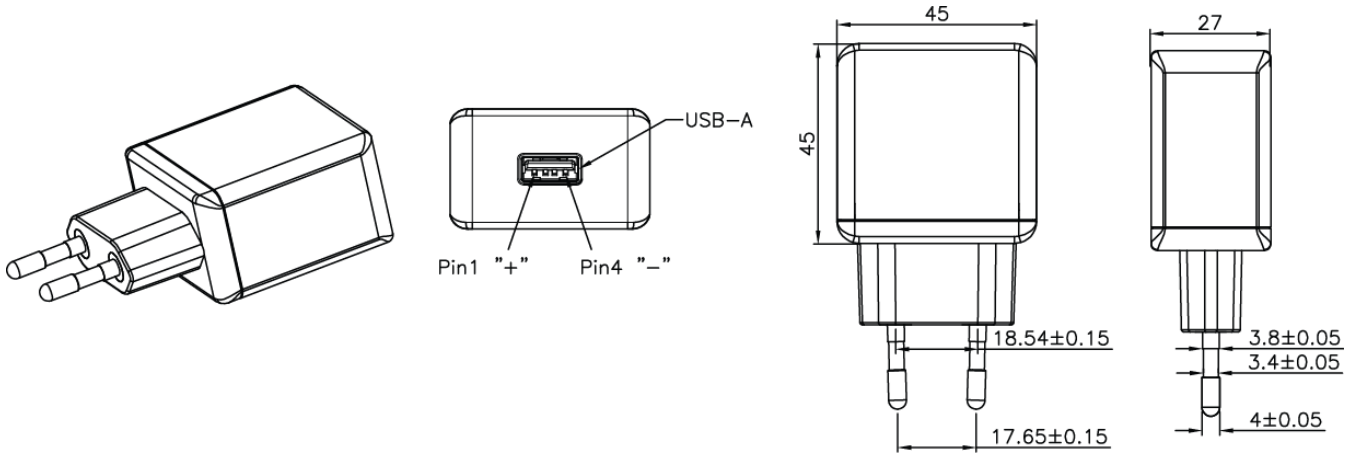
**DC Output Connector**

USB-A

**PSA15A-308Q Dimension Diagram Unit: mm (inch)**



**PSA15E-308Q Dimension Diagram Unit: mm (inch)**



**PSA15K-308Q Dimension Diagram Unit: mm (inch)**

