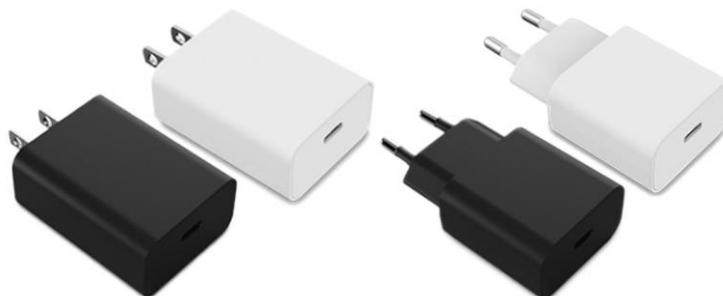




## 15 Watt USB Adapter with USB Type-C



### Features

- USB Type-C
- Class B EMI
- Limited Power Source (LPS)
- Over Voltage and Short Circuit Protections
- DOE Level VI, CoC V5 Tier 2

### Applications

- Mobile Phone
- Tablet
- Notebook
- Networking Devices
- Monitor

### Safety Approvals (Preliminary)

- cUL/UL
- CE
- CB

### Mechanical Characteristics

- Length: 52mm (2.05in)
- Width: 40mm (1.57in)
- Height: 23.3mm (0.92in)

### Output Specifications

| Model       | Prong Style | Case Color | Output Power | Output Voltage | Current Rating | Ripple <sup>(1)</sup> P-P (max.) |
|-------------|-------------|------------|--------------|----------------|----------------|----------------------------------|
| AQ15A-050A  | US          | Black      | 15W          | 5V             | 3A             | 150mV                            |
| AQ15A-050AW | US          | White      | 15W          | 5V             | 3A             | 150mV                            |
| AQ15E-050A  | EU          | Black      | 15W          | 5V             | 3A             | 150mV                            |
| AQ15E-050AW | EU          | White      | 15W          | 5V             | 3A             | 150mV                            |

Notes: (1) Measured by using a 12 inch twisted pair terminated with a 10uF & 0.1uF ceramic in parallel. Oscilloscope is set to 20MHz.

Phihong is not responsible for any error, and reserves the right to make changes without notice. Please visit our website at [www.phihong.com](http://www.phihong.com) for the most up-to-date specifications and contact information.

**Input:****AC Input Voltage Rating**

100 to 240V AC

**AC Input Voltage Range**

90 to 264V AC

**AC Input Frequency**

47 to 63Hz

**Input Current**

0.5A (RMS) maximum at 100Vac

**Leakage Current**

20uA Max.

**Inrush Current**

60A max @240V (Cold start)

**Input Power Saving**

&lt;75mW @115VAC/230VAC

**Output:****Efficiency**

US DOE Level VI

CoC V5 Tier 2

**Environmental:****Temperature**

Operation 0 to +40°C

Non-operation -40 to +85°C

Humidity 90% RH max

**DC Output Connector**

USB Type C

**Emissions**

FCC Class B

EN55022 Class B

**Immunity**

EN61000-4-2, Level 4

EN61000-4-5

**Hold-up Time**

10mS minimum at 115V/60Hz &amp;

230Vac/50Hz max load

**Over-Voltage Protection**

Output voltage shall not exceed 9V

**Short-Circuit Protection**

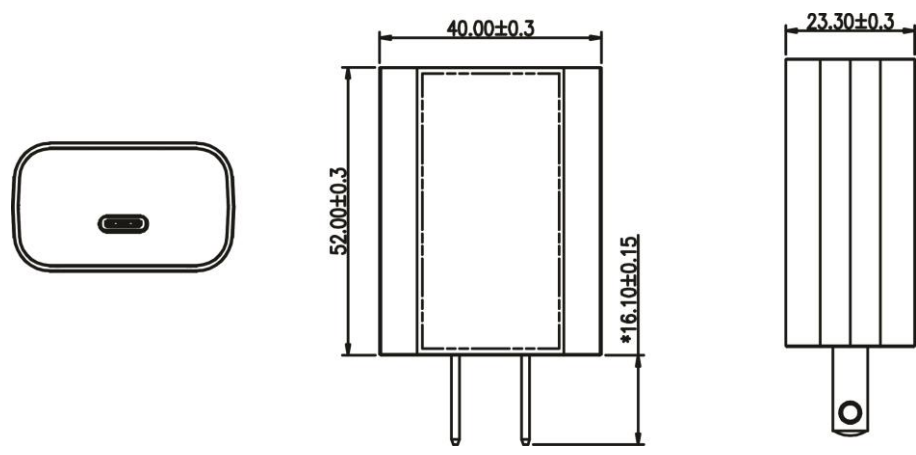
Auto Recover

**Dielectric Withstand (Hi-pot) Test**

Primary to Secondary: 3000V AC for 1 min.,

10mA

**AQ15A-050A Dimension Diagram Unit: mm (inch)**



**AQ15E-050A Dimension Diagram Unit: mm (inch)**

