



60W Single Multi-Gig Power over Ethernet Midspan IEEE802.3bt Compliant Power Injector



Features

Compliant with IEEE802.3bt Standard
Compliant with Phihong Proprietary 12.5K Detection
Non-Vented Case
4 Pair Powering +3,6,4,5 / - 1,2,7,8
Full Protection OVP, OCP

Limited Power Source
Single Source 4 Pair Power Current Sharing
Broken Wire Detection
Gigabit Compatible
1 Year Warranty

Applications

IP Telephones
Wireless Access Points
Bluetooth® Access Points

Security Cameras
IP Print Servers
WiMAX® Access Points

Safety Approvals

UL/cUL 60950-1
UL/cUL 62368-1

IEC60950-1
IEC62368-1
CE

Mechanical Characteristics

Length: 163.25mm (6.43in.)
Width: 65mm (2.56in.)

Height: 36mm (1.42in.)
Weight: 500g (17.64oz)

Output Specifications

Model	AC Input	Data Speed	DC Output Voltage	Load		Regulation ¹	
				Min.	Max. ²	Line	Load
POE60U-1BTE-R	3 Wire C14	1G	56V	10mA	1.07A	+56VDC +1V/-3V (57-53VDC)	
POE60U-1BT6-R ³	3 Wire C14	1G	56V	10mA	1.07A	+56VDC +1V/-3V (57-53VDC)	
POE60U-1BT-2-R	3 Wire C14	2.5G	56V	10mA	1.07A	+56VDC +1V/-3V (57-53VDC)	
POE60U-1BT-5-R	3 Wire C14	5G	56V	10mA	1.07A	+56VDC +1V/-3V (57-53VDC)	
POE60U-1BT-X-R	3 Wire C14	10G	56V	10mA	1.07A	+56VDC +1V/-3V (57-53VDC)	

Notes:

1. Voltage measured within 2" of the output RJ45 connector on data pairs 3,6(+) and 1,2(-)
2. Combined output on data pairs and spare pairs. Otherwise 535mA on data pairs 3,6(+) 1, 2(-) and spare pairs 4,5(+) 7,8(-)
3. No shielded RJ45 connector

POE60U-1BT Serie Characteristics ¹

INPUT:

AC Input Voltage Range
90VAC to 264VAC

AC Input Voltage Rating
100 to 240VAC

AC Input Current
2.0A (RMS) max for 90VAC
1.2A (RMS) max for 240VAC

Leakage Current
3.5mA max @ 264VAC/50Hz

AC Inrush Current
40A (RMS) max for 115VAC
80A (RMS) max for 230VAC

OUTPUT:

Total Output Power
60W @40°C
30W @50°C

Output Ripple
100mV max @25°C, 100-240VAC

Efficiency²
DOE Level VI
COC V5 Tier 2

Hold-up Time
10mS min. 120VAC/60Hz max load

ENVIRONMENTAL:

Temperature
Operation -10°C to +40°C for 60W
>40°C to +50°C for 30W
Non-operation -20°C to +65°C
Humidity 5 to 90%

EMC

Complies with FCC Class B
Complies with EN55032 Class B

Input Connector

IEC320 inlet 3 pin

Isolation Test

Primary to Secondary: 4242VDC for 1min
10mA
Primary to Field Ground: 2121VDC for 1min,
10mA

Immunity

ESD: IEC61000-4-2. Level 3
RS: IEC61000-4-3. Level 3
EFT: IEC61000-4-4. Level 2
Surge: IEC61000-4-5. Level 4
CS: IEC61000-4-6. Level 2
Voltage Dips IEC61000-4-11
Harmonic: IEC61000-3-2 Class A

Insulation Resistance

Primary to Secondary: >10M OHM 500VDC
Primary to Field Ground: >10M OHM
500VDC

FEATURES:

Over Current Protection

Output #1(OUT) <650mA
Output #2(OUT) <650mA
Output #1 and #2 Combined(OUT) <1300mA

Over Voltage Protection

Meets UL requirements

Short Circuit Protection

Output can be shorted permanently without damage

LED Indicators

No LED - Power failure
Amber LED short/slow Blinking - POE power ready
but no connection
Green LED solid - POE output power good
Amber/Green LED alternate blinking - POE detection failure
Amber LED long/fast blinking - POE output over power or short
Green LED Blink – Invalid load condition

Output Connection

+pins 3,6,4,5 / -pins 1,2,7,

Notes:

1. The characteristics defined are at ambient temperature of 25°C unless otherwise specified
2. Efficiency is measured after 30 minutes burn-in

60W Single Multi-Gig PoE Midspan

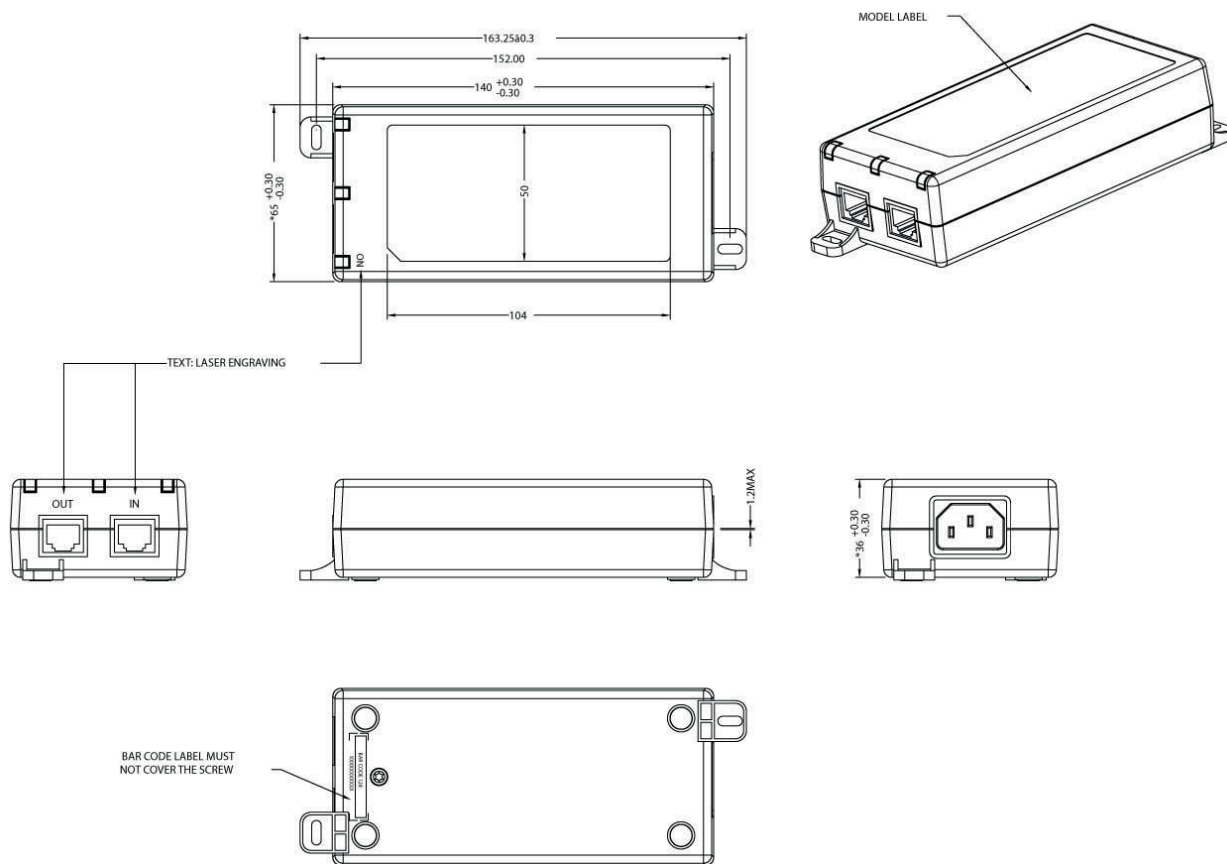
POE60U-1BT Serie

BERGER

STROMVERSORGUNGEN

Dimension Diagram Unit: mm

POE60U-1BTE-R, POE60U-1BT6-R

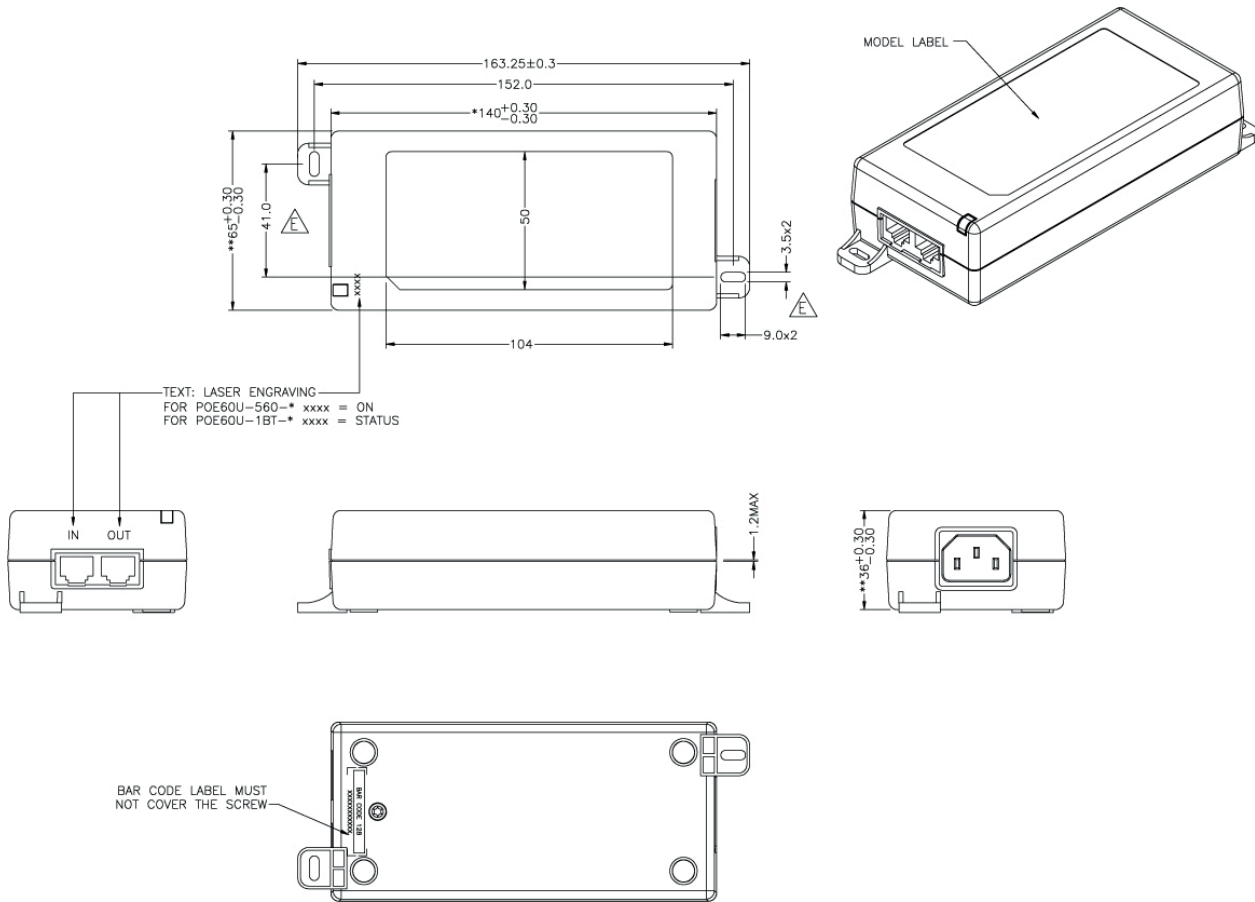


60W Single Multi-Gig PoE Midspan

POE60U-1BT Serie

Dimension Diagram Unit: mm

POE60U-1BT-2-R, POE60U-1BT-5-R, POE60U-1BT-X-R



For more information please contact us.

Berger Stromversorgungen GmbH & Co. KG

Bannmatten 10
77855 Achern
Germany

Tel.: +49(0)7841-67304-0
Fax: +49 (0)7841-67304-29

info@berger-stromversorgungen.de
www.berger-stromversorgungen.de

Version 03.21